



# RIOCATH

created by people,  
certified by nature

Reversaly Inside-Out CATHeter

## REVOLUTIONARY NEW GENERATION CATHETERS

**GLOBALLY PATENTED  
TECHNOLOGY**

**CERTIFIED AND APPROVED FOR  
IMPLEMENTATION IN PRACTICE  
IN THE EUROPEAN UNION**

**PATENTED EVERSIABLE  
TUBE**



## RIOCATH URINARY CATHETER

RIOCATH PRINCIPLE IS BASED ON UNFURLING OF INNER LAYER. GRADUAL SHIFTING OF THE INNER LAYER THROUGH THE CATHETER, IS UNFURLED AT THE APEX AND TRANSFORMED INTO AN OUTER LAYER THAT ADHERES TO THE SURROUNDING TISSUES WITHOUT FURTHER DISPLACEMENT AND UNWANTED FRICTION.

### HOW IS THE RIOCATH CATHETER REVOLUTIONARY?



**NO INFECTION**

Thanks to the unique principle of unwrapping the tube from the inside out and no shifting during insertion, the risk of bacterial contamination is eliminated.



**NO PAIN**

Innovative design minimizes pain during insertion and removal of the catheter.



**GENTLE APPLICATION**

Catheter shape easily adjusts during insertion to the patient's anatomy, reducing the risk of mechanical and other damage.

[www.riocath.cz](http://www.riocath.cz)

# RIOCATH URINARY CATHETER

## RIOCATH URINARY CATHETER - 16 FR

**REF** 02.01.300.01.30

extension length: 300 mm  
pcs in the package: 1 pcs

## RIOCATH URINARY CATHETER - 14 FR

**REF** 02.01.080.01.30

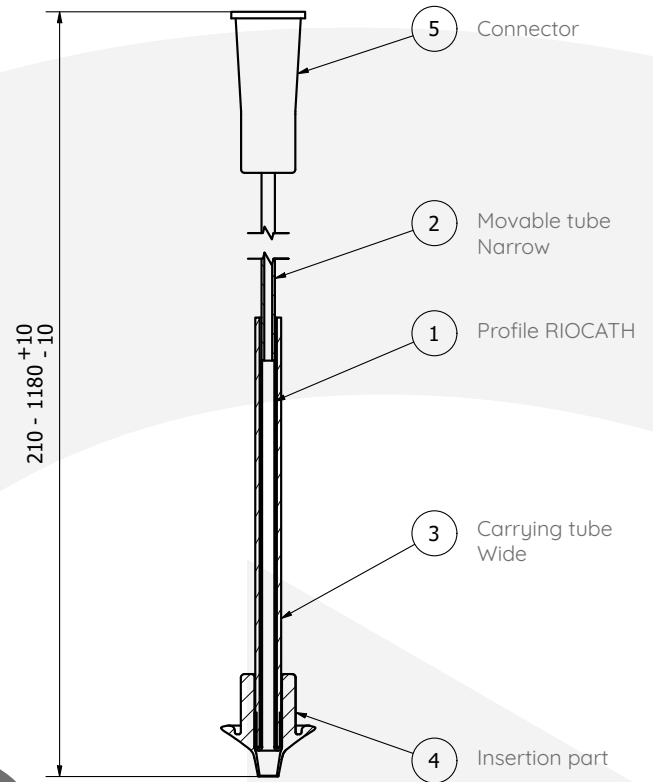
extension length: 80 mm  
pcs in the package: 1 pcs



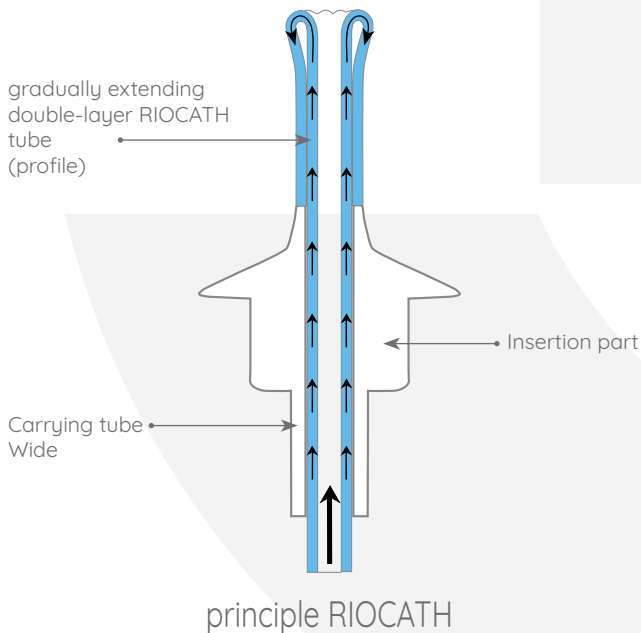
Reg.Num. : 00897460  
Reg.Num.Prod. : 058835

Producer:

Riocath Medical Devices, a.s.  
Podbabská 1112/13  
160 00 Praha 6  
Czech Republic  
www.riocath.cz



## PATENTS AND CERTIFICATIONS



European Patent  
3290079

Patented: United States of America China Israel Japan Republic of Korea Singapore Australia Canada Eurasia Albania Austria Belgium Bulgaria Cyprus Czech Republic Germany Denmark Estonia Spain Finland France Great Britain Greece Croatia Hungary Switzerland Ireland Iceland Italy Liechtenstein Lithuania Luxembourg Latvia Monaco Macedonia Malta Netherlands Norway Poland Portugal Romania Serbia Sweden Slovenia Slovakia San Marino Turkey United Arab Emirates Brazil Egypt India Mexico Saudi Arabia